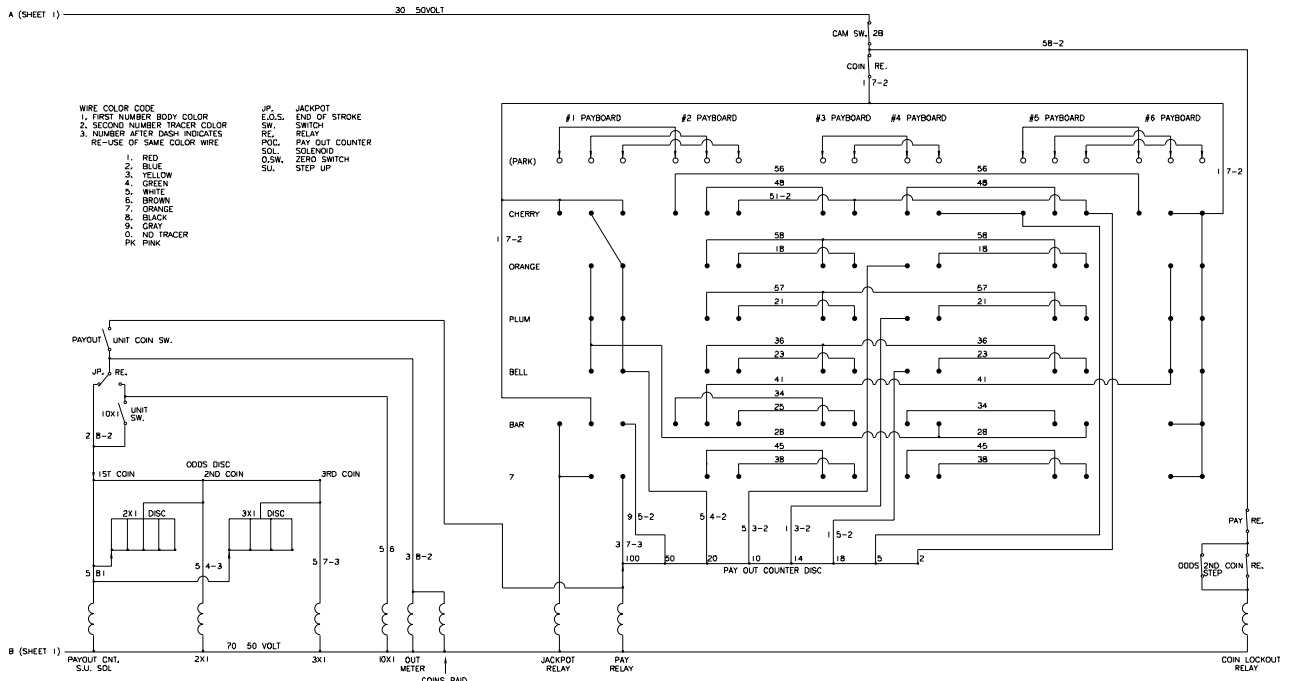


The information disclosed herein was obtained by and is the property of ACME Manufacturing Company and except for rights expressly granted to the United States government, ACME Manufacturing Company reserves all proprietary, patent, trade, manufacturing and reproduction rights therein.

REVISION			
REV	DESCRIPTION	DRT DATE	APPROVED



- WIRE COLOR CODE  
 1. RED  
 2. BLUE  
 3. YELLOW  
 4. GREEN  
 5. WHITE  
 6. BROWN  
 7. ORANGE  
 8. BLACK  
 9. GRAY  
 0. NO TRACER  
 PK. PINK
- JP. E.O.S. SW.  
 RE. RELAY  
 POC. PAYOUT COUNTER SOLENOID  
 SOL. ZERO SWITCH  
 ZEN. ZERO SWITCH STEP UP

B (SHEET 1)

NOTE: UNLESS OTHERWISE SPECIFIED.

<b>ACME MANUFACTURING COMPANY</b>			
<small>221 W. Charleston Blvd., Las Vegas, Nev. 89102</small>			
TITLE <b>SCHEMATIC/WIRING (TRIPLE PAY)</b>			
SIZE <b>D</b>	DWG CODE -----	DWG NO. <b>17230-002</b>	REV <b>NC</b>
SCALE N/A		DO NOT SCALE DRAWING	
		SHEET 2 OF 2	

117320-002 INC 10