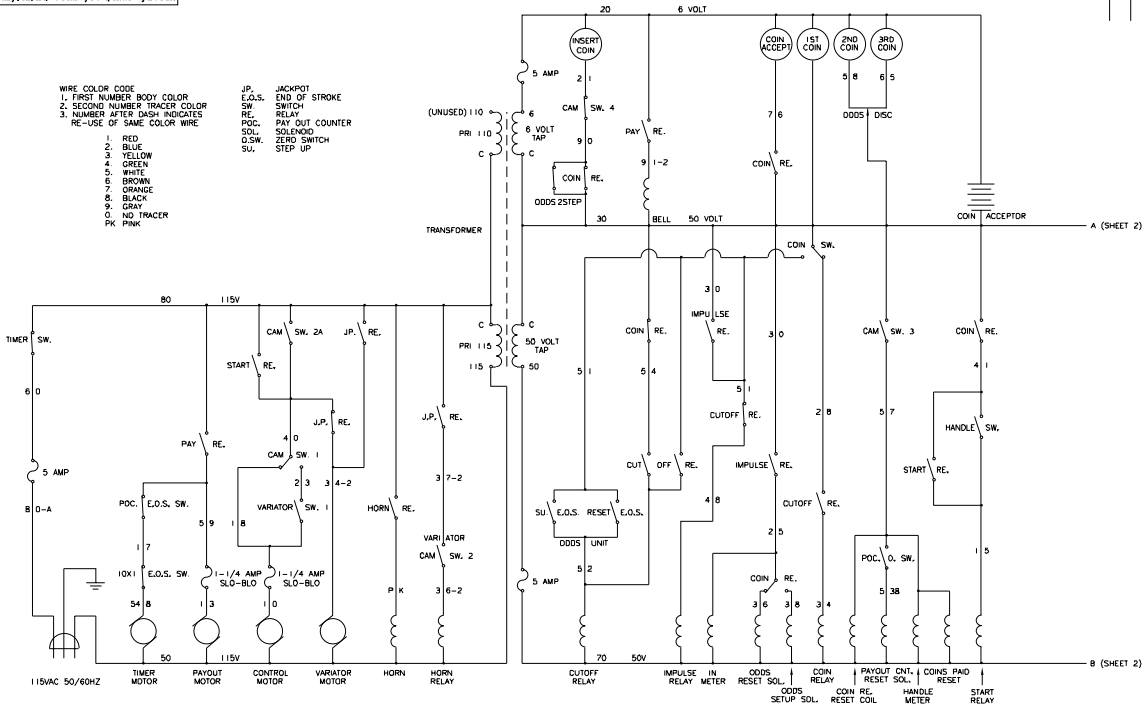


REVISION			
REV	DESCRIPTION	DRFT	DATE APPROVED

WIRE COLOR CODE
 1. FIRST NUMBER BODY COLOR
 2. SECOND NUMBER TRACER COLOR
 3. NUMBER AFTER DASH INDICATES
 RE-USE OF SAME COLOR WIRE.

- 1. RED
- 2. BLUE
- 3. YELLOW
- 4. GREEN
- 5. WHITE
- 6. BROWN
- 7. ORANGE
- 8. BLACK
- 9. GRAY
- 0. NO TRACER
- PK PINK

J.P. JACKPOT
 E.O.S. END OF STROKE
 SW SWITCH
 REL RELAY
 P.C.C. PAY OUT COUNTER
 SOL. SOLENOID
 O.S.W. ZERO SWITCH
 S.U. STEP UP



NOTE: UNLESS OTHERWISE SPECIFIED.

DRAWN		ACME-17320		ACME MANUFACTURING COMPANY	
CHECKED				221 W. Grand Canyon Blvd., Las Vegas, N.V. 89108	
MECH. ENGR.				TITLE	
ELECT. ENGR.				SCHEMATIC/WIRING	
DRA. ENGR.				(TRIPLE CHOICE)	
MFG. ENGR.				SIZE	
PROJ. ENGR.				D	
MFG. CONT.				DATE CODE	
RELEASE				17320-001	
				REV	
				NC	
				SCALE	
				N/A	
				DO NOT SCALE DRAWING	
				SHEET 1 OF 2	

117320-001 NC 10