

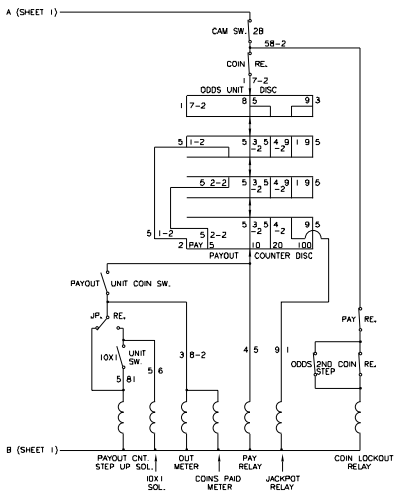
The information disclosed herein was prepared by and is the property of ACME Manufacturing Company and should be kept confidential to the United States government, ACME Manufacturing Company or any of its subsidiaries, and should not be disclosed to any other person without the prior written consent of ACME Manufacturing Company.

REVISION			
REV	DESCRIPTION	DATE	APPROVED

WIRE COLOR CODE
 1. FIRST NUMBER BODY COLOR
 2. SECOND NUMBER TRACER COLOR
 3. NUMBER AFTER DASH INDICATES RE-USE OF SAME COLOR WIRE

- 1. RED
- 2. BLUE
- 3. YELLOW
- 4. GREEN
- 5. WHITE
- 6. BROWN
- 7. ORANGE
- 8. BLACK
- 9. GRAY
- 0. NO TRACER
- PK PINK

- JP. JACKPOT
- E.C.S. END OF STROKE
- SW SWITCH
- RE. RELAY
- P.C.C. PAY OUT COUNTER
- SOL. SOLENOID
- Z.S.W. ZERO SWITCH
- SU. STEP UP



NOTE: UNLESS OTHERWISE SPECIFIED.

ACME MANUFACTURING COMPANY			
221 W. Charleston Blvd., Las Vegas, Nev. 89102			
TITLE SCHEMATIC/WIRING (TRIPLE CHOICE)			
SIZE D	DATE CODE ----	DRG NO. 17230-001	REV NC
SCALE N/A	DO NOT SCALE DRAWING		SHEET 2 OF 2

17230-001 NC 10