

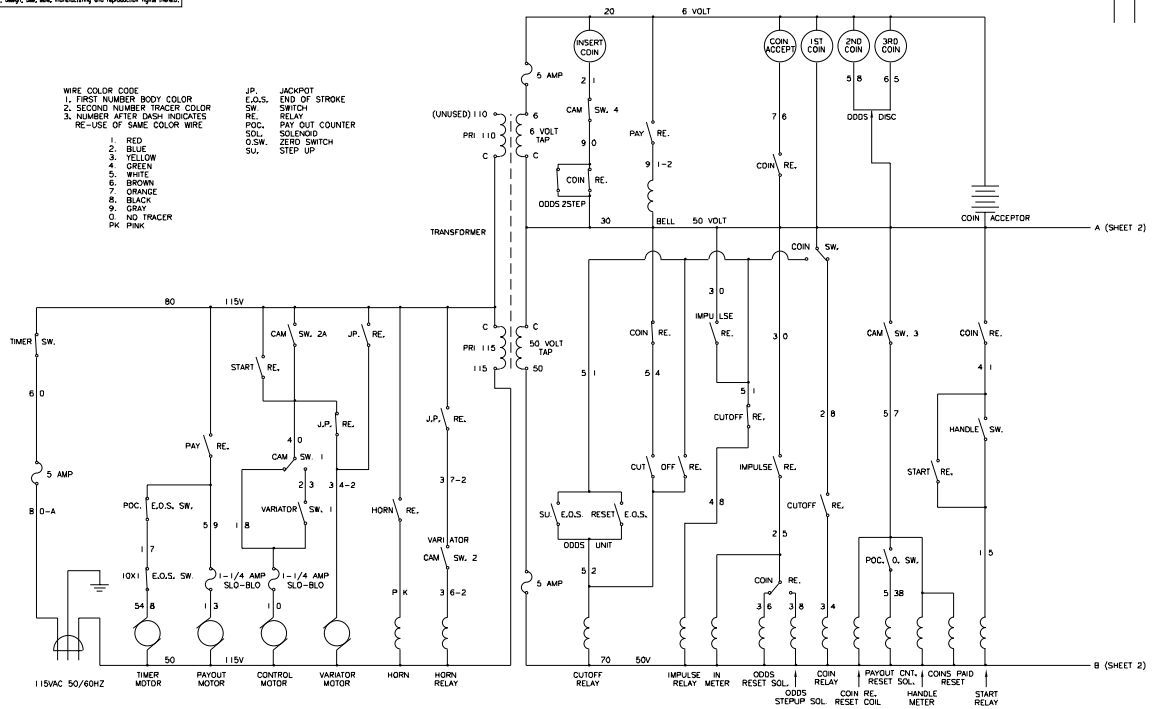
The information disclosed herein was obtained by and is the property of ACME Manufacturing Company and except for rights expressly granted to the United States government, ACME Manufacturing Company reserves all proprietary, patent, trade, manufacturing and reproduction rights therein.

REVISION			
REV	DESCRIPTION	DRFT	DATE APPROVED

WIRE COLOR CODE
 1. FIRST NUMBER BODY COLOR
 2. SECOND NUMBER TRACER COLOR
 3. NUMBER AFTER DASH INDICATES RE-USE OF SAME COLOR WIRE

1. RED
 2. BLUE
 3. YELLOW
 4. GREEN
 5. WHITE
 6. BROWN
 7. ORANGE
 8. BLACK
 9. GRAY
 0. NO TRACER
 PK. PINK

J.P. JACKPOT
 E.O.S. END OF STROKE
 SW SWITCH
 RE. RELAY
 POC. PAY OUT COUNTER
 SOL. SOLENOID
 O.S.W. ZERO SWITCH
 SU. STEP UP



NOTE: UNLESS OTHERWISE SPECIFIED.

PROJ/PMU	ACME-17320		ACME MANUFACTURING COMPANY	
DRAWN		TITLE	881 W. Chaparral Blvd., Las Vegas, NV. 89-108	
CHECKED		SCHEMATIC/WIRING (TRIPLE PAY)		
MECH. ENG.		SIZE	D	DWG. NO. 17320-002
ELEC. ENG.		SCALE	N/A	DO NOT SCALE DRAWING
QTY. ENG.		REV	NC	SHEET 1 OF 2
INFO. ENG.				
PROJ. ENG.				
INT. CONT.				
RELEASE				

117320-002 INC 10